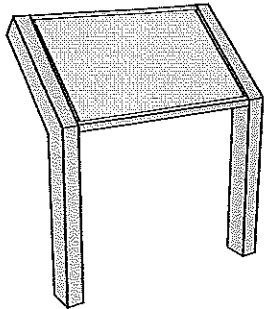
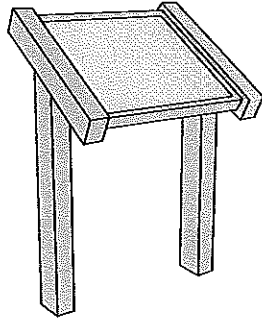


low profile cantilevered unit in-gr



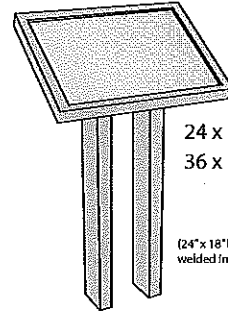
24 x 18
30 x 20
36 x 24
42 x 24
48 x 24
48 x 36

low profile traditional unit in-gr



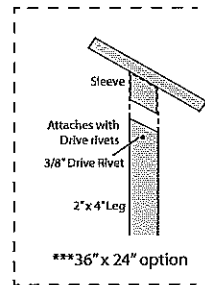
24 x 18
30 x 20
36 x 24
42 x 24
48 x 24
48 x 36

low profile double in-board leg unit

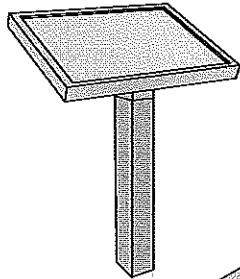


24 x 18
36 x 24

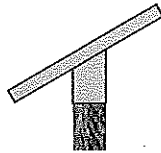
(24" x 18" legs are welded in place)



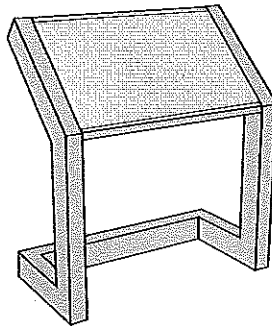
low profile wooden post mount



12 x 9
16 x 12
20 x 16
24 x 18
30 x 20
36 x 24

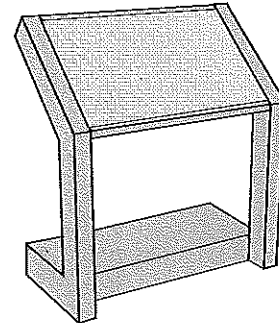


low profile sled unit



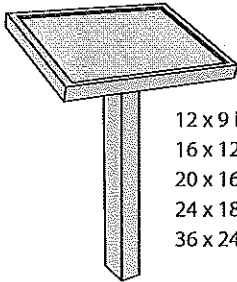
24 x 18
36 x 24
42 x 24
48 x 24

low profile sand filled sled unit



24 x 18
36 x 24
42 x 24
48 x 24

low profile single leg unit



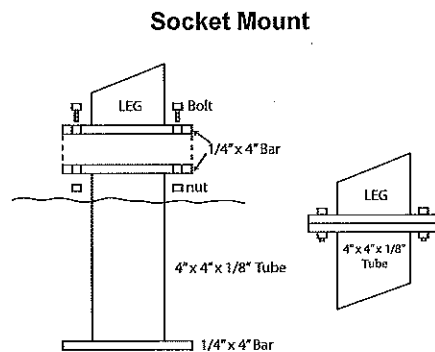
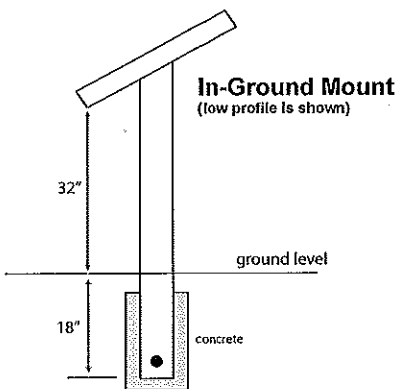
12 x 9 in-gr
16 x 12 in-gr
20 x 16 in-gr
24 x 18 in-gr
36 x 24 in-gr, with 6x2 leg



**HOPEWELL
MANUFACTURING INC**

217 N. Franklin Street Waynesboro, PA 17268
717-655-5429 717-655-5498 fax
301-582-2343 301-582-4736 fax
877-521-2787 www.hopewellmfg.com

MOUNTS



Deck/Surface Mount

