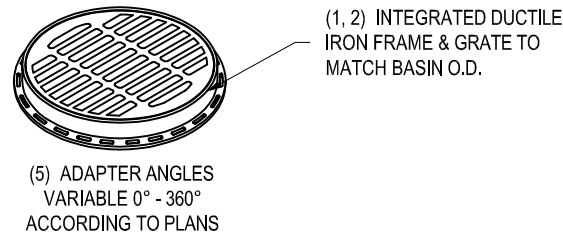
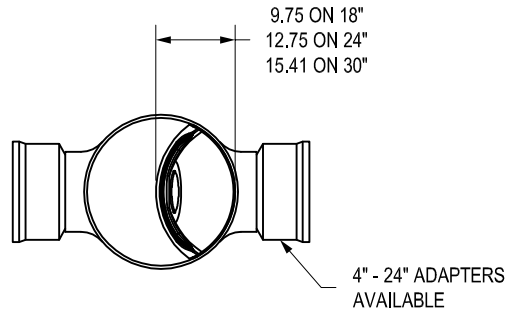
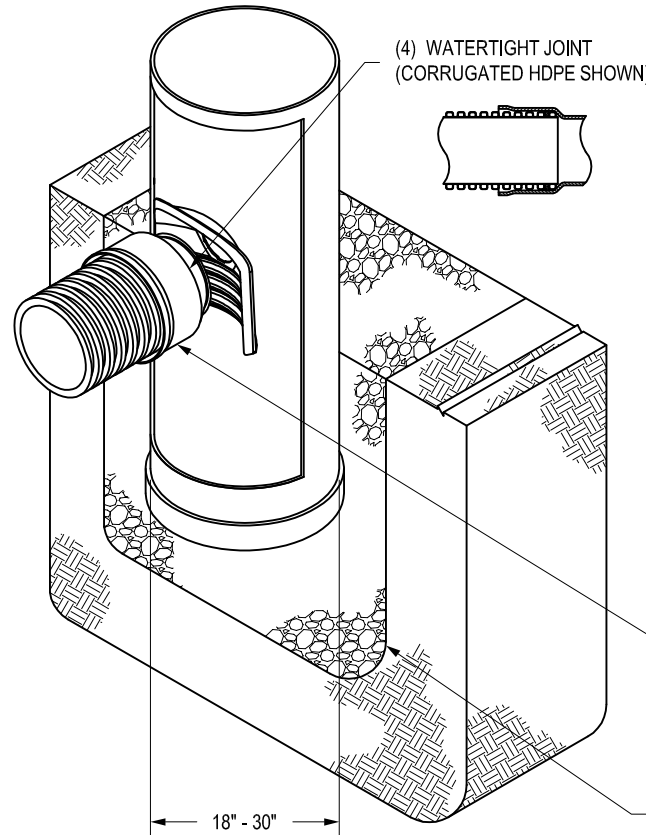
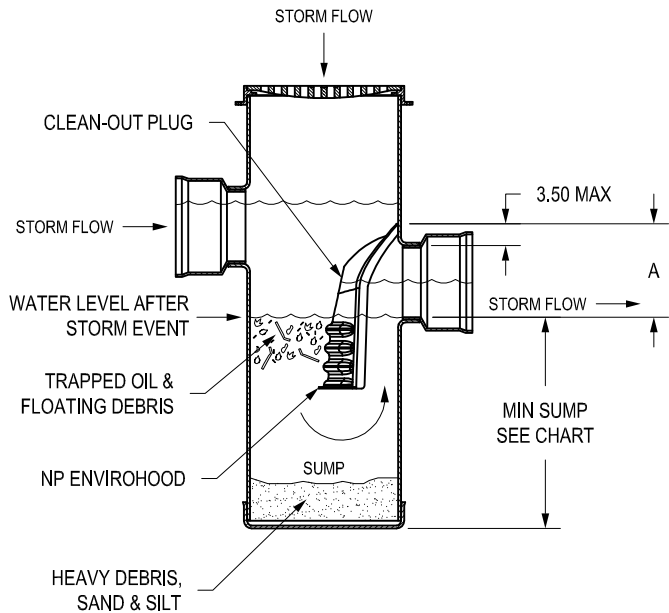


NYLOPLAST DRAIN BASIN WITH ENVIROHOOD



PIPE SIZE	A	MIN SUMP
4"	7.51	36.00
6"	9.25	36.00
8"	11.29	36.00
10"	13.21	36.00
12"	15.05	36.00
15"	17.78	42.00
18"	20.98	48.00



PIPE SIZE	PERCENTAGE OF OUTLET OPEN AREA RESTRICTION		
	5818AG0412	5824AG0415	5830AG0418
4"	0%	0%	0%
6"	0%	0%	0%
8"	0%	0%	0%
10"	0%	0%	0%
12"	33%	0%	0%
15"	-	12%	0%
18"	-	-	0%
24"	-	-	-

MAINTENANCE INSTRUCTIONS:

1. THE STRUCTURE SHOULD BE INSPECTED AT LEAST ONCE PER MONTH FOR THE FIRST YEAR, OR UNTIL THE SITE HAS STABILIZED.
2. THE STRUCTURE SHALL BE CLEANED IF ACCUMULATED DEBRIS IS EQUAL OR GREATER TO THE FOLLOWING:
 - A. DEBRIS IN SUMP - 18" MAX
 - B. FLOATABLE DEBRIS - 6" MAX
3. THE DEBRIS SHALL BE CLEANED AND RINSED THOROUGHLY AS SPECIFIED BY ENGINEER BASED ON SITE CONDITIONS.

(4) VARIOUS TYPES OF INLET & OUTLET ADAPTERS AVAILABLE: 4" - 30" FOR CORRUGATED HDPE (ADS N-12/HANCOR DUAL WALL, ADS/HANCOR SINGLE WALL), N-12 HP, PVC SEWER (EX: SDR 35), PVC DWV (EX: SCH 40), PVC C900/C905, CORRUGATED & RIBBED PVC

THE BACKFILL MATERIAL SHALL BE CRUSHED STONE OR OTHER GRANULAR MATERIAL MEETING THE REQUIREMENTS OF CLASS I, CLASS II, OR CLASS III MATERIAL AS DEFINED IN ASTM D2321. BEDDING & BACKFILL FOR SURFACE DRAINAGE INLETS SHALL BE PLACED & COMPACTED UNIFORMLY IN ACCORDANCE WITH ASTM D2321.

- 1 - ENVIROHOOD AVAILABLE WITH ALL 18" - 30" STRUCTURE OPTIONS (CUSTOM BASIN, ROAD & HIGHWAY, & CURB INLET).
- 2 - FRAMES, GRATES, COVERS, HOODS, & BASE PLATES SHALL BE DUCTILE IRON PER ASTM A536 GRADE 70-50-05.
- 3 - DRAIN BASIN TO BE CUSTOM MANUFACTURED ACCORDING TO PLAN DETAILS RISERS ARE NEEDED FOR BASINS OVER 84" DUE TO SHIPPING RESTRICTIONS SEE DRAWING NO. 7001-110-065.
- 4 - DRAINAGE CONNECTION STUB JOINT TIGHTNESS SHALL CONFORM TO ASTM D3212 FOR CORRUGATED HDPE (ADS N-12/HANCOR DUAL WALL), N-12 HP, & PVC SEWER (4" - 18").
- 5 - ADAPTERS CAN BE MOUNTED ON ANY ANGLE 0° TO 360°. TO DETERMINE MINIMUM ANGLE BETWEEN ADAPTERS SEE DRAWING NO. 7004-110-111.

THIS PRINT DISCLOSES SUBJECT MATTER IN WHICH NYLOPLAST HAS PROPRIETARY RIGHTS. THE RECEIPT OR POSSESSION OF THIS PRINT DOES NOT CONFER, TRANSFER, OR LICENSE THE USE OF THE DESIGN OR TECHNICAL INFORMATION SHOWN HEREIN REPRODUCTION OF THIS PRINT OR ANY INFORMATION CONTAINED HEREIN, OR MANUFACTURE OF ANY ARTICLE HEREFROM, FOR THE DISCLOSURE TO OTHERS IS FORBIDDEN, EXCEPT BY SPECIFIC WRITTEN PERMISSION FROM NYLOPLAST.

©2013 NYLOPLAST

DRAWN BY JJC
DATE 11-11-13
APPD BY JJC
DATE 11-11-13

MATERIAL

REV BY NMH
DATE 03-15-16
APPD BY NMH
DATE 03-15-16

PROJECT NO./NAME

DWG SIZE A

SCALE 1:30 SHEET 1 OF 1



3130 VERONA AVE
BUFORD, GA 30518
PHN (770) 932-2443
FAX (770) 932-2490
www.nyloplast-us.com

TITLE
DRAIN BASIN WITH ENVIROHOOD
QUICK SPEC INSTALLATION DETAIL

DWG NO. 7004-110-100 REV D